

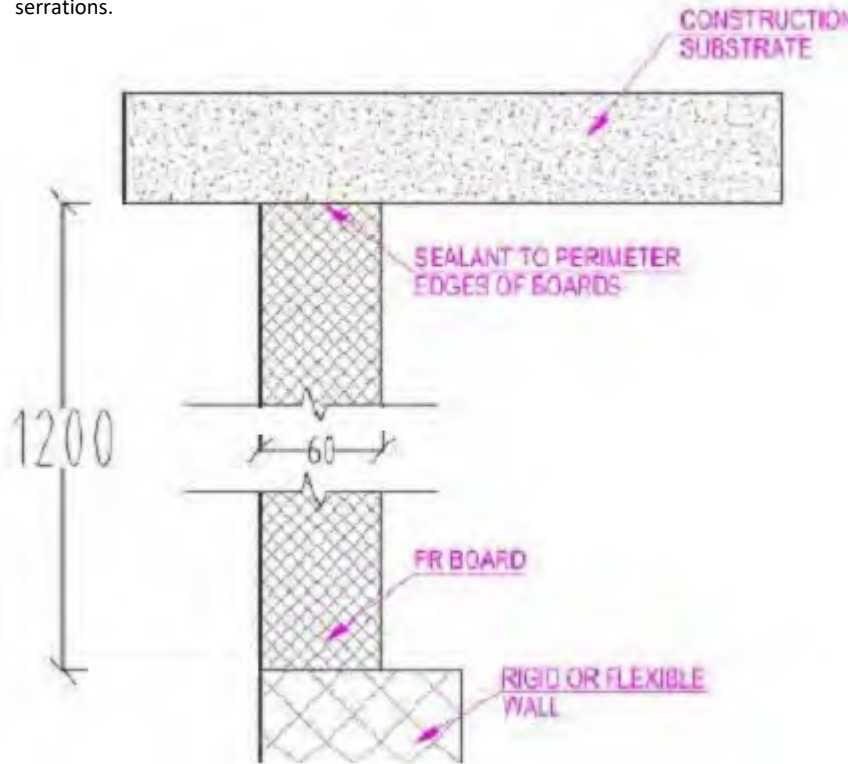
Protecta FR Board - Top of Wall to Roof

See following pages for construction examples

Installation Instructions

1. This system may be used as a blank seal between the top of a wall and the underside of the above construction substrate. The system is applicable to concrete walls or flexible walls with a top plate to support the FR Board. The FR Board to be cut to shape and friction fitted at any position within the aperture with all edges sealed with Acrylic Sealant.
2. Before installing Protecta® FR Board ensure that the surface of all service penetrations and surrounding construction is free from all loose contaminants, dust and grease.
3. The board may be inserted flush with the surface of the construction on either side or any position inbetween.
4. Cut the required board to suit the aperture dimensions. All exposed and cut edges of the board can be sealed with Protecta® FR Acrylic prior to fitting which will act as an adhesive and ensure a smoke tight seal.
5. Board must be friction fitted or otherwise firmly supported. Then all joints, gaps or imperfections in the installed seal must be filled with Protecta® FR Acrylic on both sides.
6. Protecta® FR Board can be over-painted with most emulsion or alkyd (gloss) paints.

The substrate above may be made of any material that supports adhesion by Acrylic Sealant such as concrete, masonry, steel, timber, gypsum, glass, plastics or any other non-porous surface. Includes flat or sloping surfaces and serrated surfaces such as composite flooring (e.g Comflor, Traydec, etc). Board must be cut to fit slopes or serrations.



System/FPA Register ID# FC311

Products	Protecta FR Board 60mm 2-S Protecta FR Acrylic
Application	Fire stopping of space between top of rigid or plasterboard wall and above substrate
Construction	Minimum wall thickness of 75mm concrete, aerated concrete or masonry or plasterboard wall with top-plate

Fire & Sound classification

Blanks of unlimited width and 1200mm height	
For 150mm wall thickness	FRR -/240/90
Wall thickness down to 75 mm accepted with FRR of system being reduced to FRR of the wall or above substrate.	
Smoke-safe (<0.1m ³ /h smoke leakage at 200Pa)	
Sound reduction (seal only)	STC 55



Protecta®

Polyseam Ltd, 15 St Andrews Road,
Huddersfield, West Yorkshire, HD1 6SB
Email: post.uk@polyseam.com

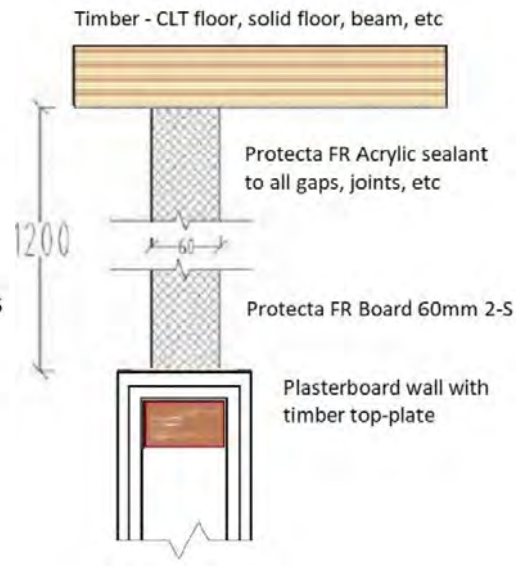
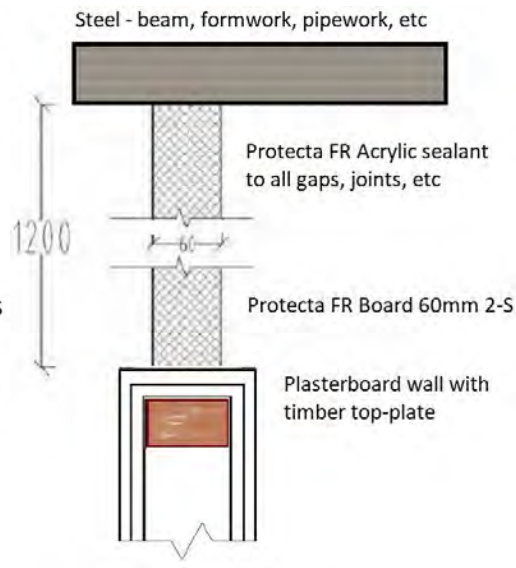
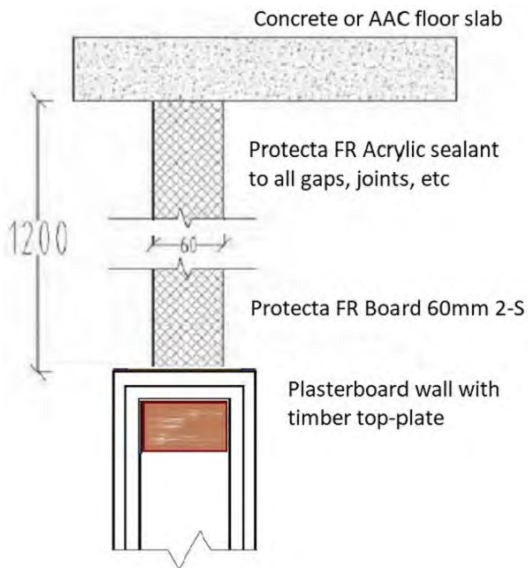
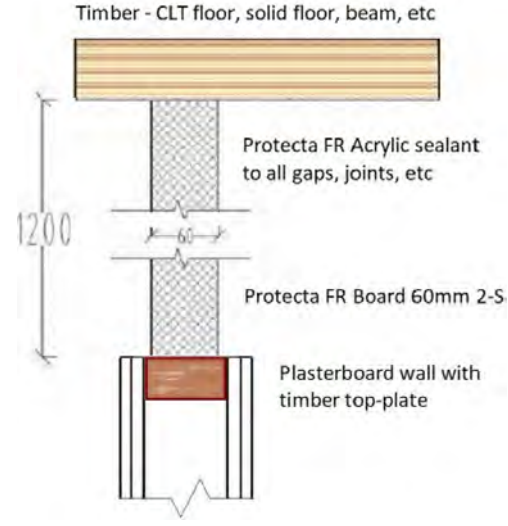
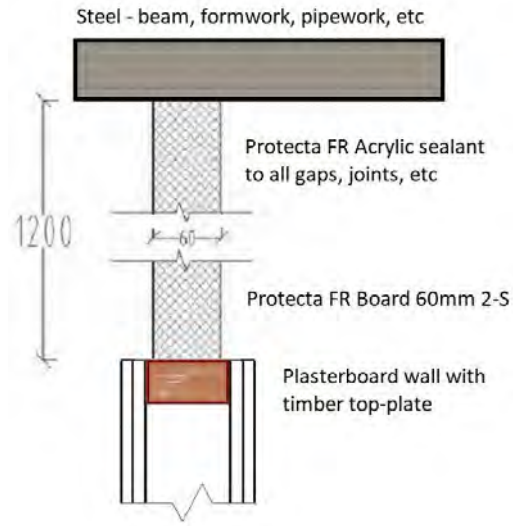
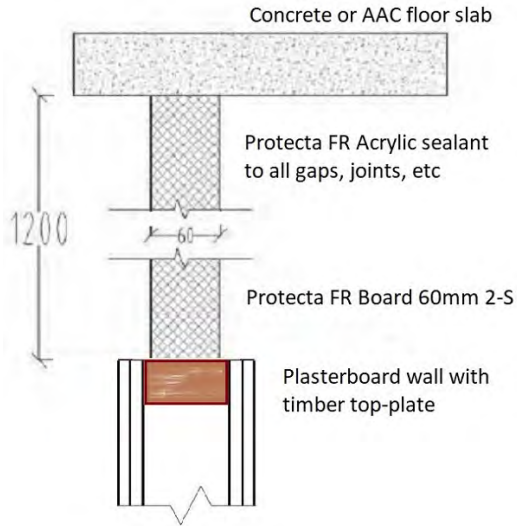
Sheet size: A4	Drawn date & no: 20/4/21
Scale: NTS	Drawn by: K.B

As a part of our policy of on-going product development and testing, we reserve the right to modify, alter or change product specifications without giving notice. All information contained in this document is given in good faith and is provided for guidance only. Any drawings provided are for illustrative purposes only. As Polyseam has no control over the methods or competence of installation and of prevailing site conditions, no warranties, expressed or implied, is intended to be given as to the actual performance of the product mentioned or referred to herein and no liability whatsoever will be accepted for any loss, damage or injury arising from the use of the information given.

For all technical details on the products specified please refer to the technical data sheets that can be found on www.firestopcentre.co.nz

Signed and approved:

Protecta FR Board Sealing gap from top of plasterboard wall to various substrates



System/FPA Register ID# FC311

Products	Protecta FR Board 60mm 2-S Protecta FR Acrylic
Application	Fire stopping of space between top of rigid or plasterboard wall and above substrate
Construction	Minimum wall thickness of 75mm concrete, aerated concrete or masonry or plasterboard wall with top-plate

Fire & Sound classification

Blanks of unlimited width and 1200mm height

For 150mm wall thickness FRR -/240/90

Wall thickness down to 75 mm accepted with FRR of system being reduced to FRR of the wall or above substrate.

Smoke-safe (<0.1m³/h smoke leakage at 200Pa)

Sound reduction (seal only) STC 55



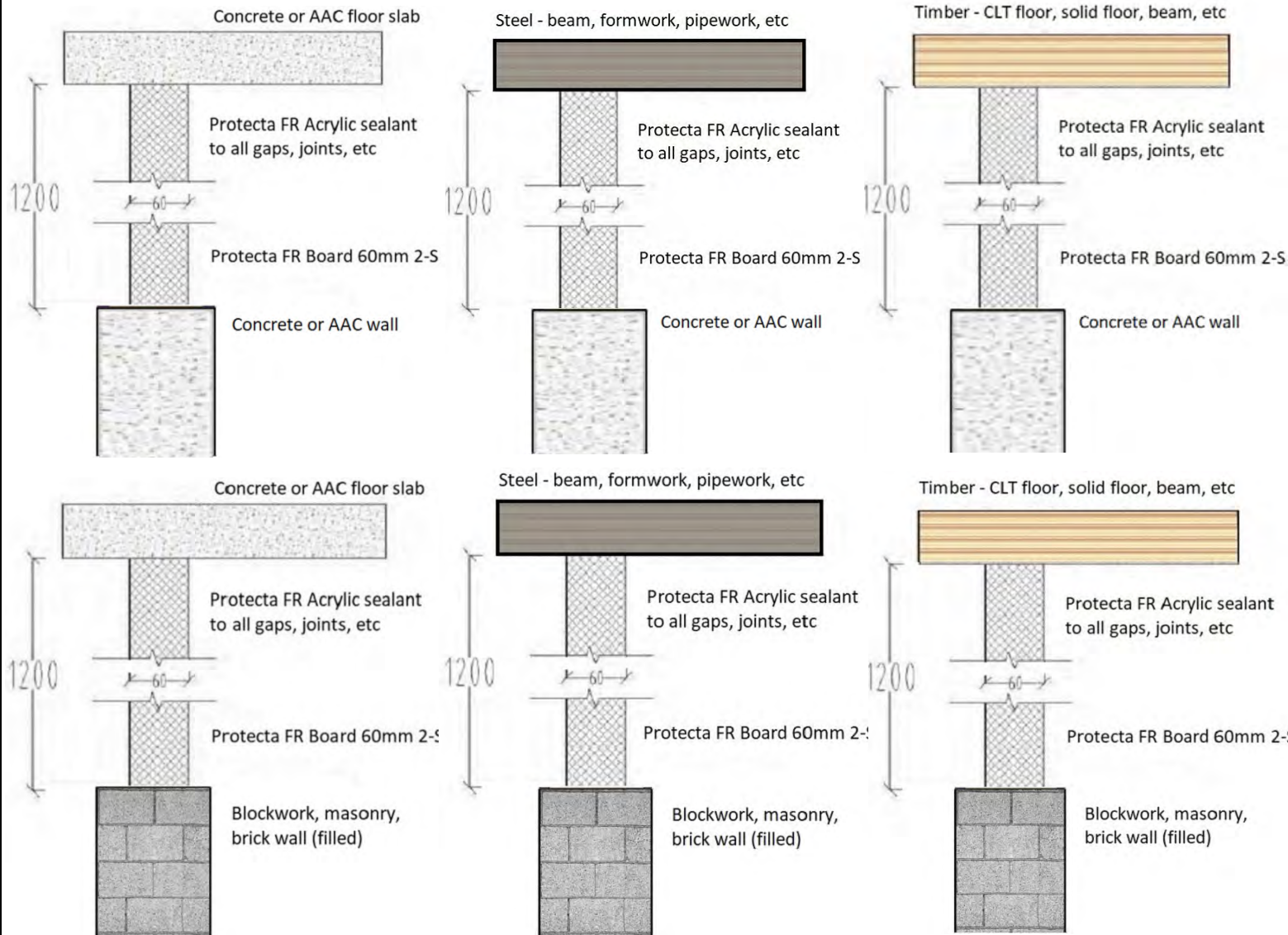
Protecta[®]

Polyseam Ltd, 15 St Andrews Road,
Huddersfield, West Yorkshire, HD1 6SB
Email: post.uk@polyseam.com

Sheet size: A4	Drawn date & no: 20/4/21
--------------------------	-----------------------------

Scale: NTS	Drawn by: K.B
----------------------	------------------

Protecta FR Board Sealing gap from top of concrete, AAC, masonry, block or brick wall to various substrates



System/FPA Register ID# FC311

Products	Protecta FR Board 60mm 2-S Protecta FR Acrylic
Application	Fire stopping of space between top of rigid or plasterboard wall and above substrate
Construction	Minimum wall thickness of 75mm concrete, aerated concrete or masonry or plasterboard wall with top-plate

Fire & Sound classification

Blanks of unlimited width and 1200mm height

For 150mm wall thickness FRR -/240/90

Wall thickness down to 75 mm accepted with FRR of system being reduced to FRR of the wall or above substrate.

Smoke-safe (<0.1m³/h smoke leakage at 200Pa)

Sound reduction (seal only) STC 55



Protecta®

Polyseam Ltd, 15 St Andrews Road,
Huddersfield, West Yorkshire, HD1 6SB
Email: post.uk@polyseam.com

Sheet size: A4	Drawn date & no: 20/4/21
--------------------------	-----------------------------

Scale: NTS	Drawn by: K.B
----------------------	------------------